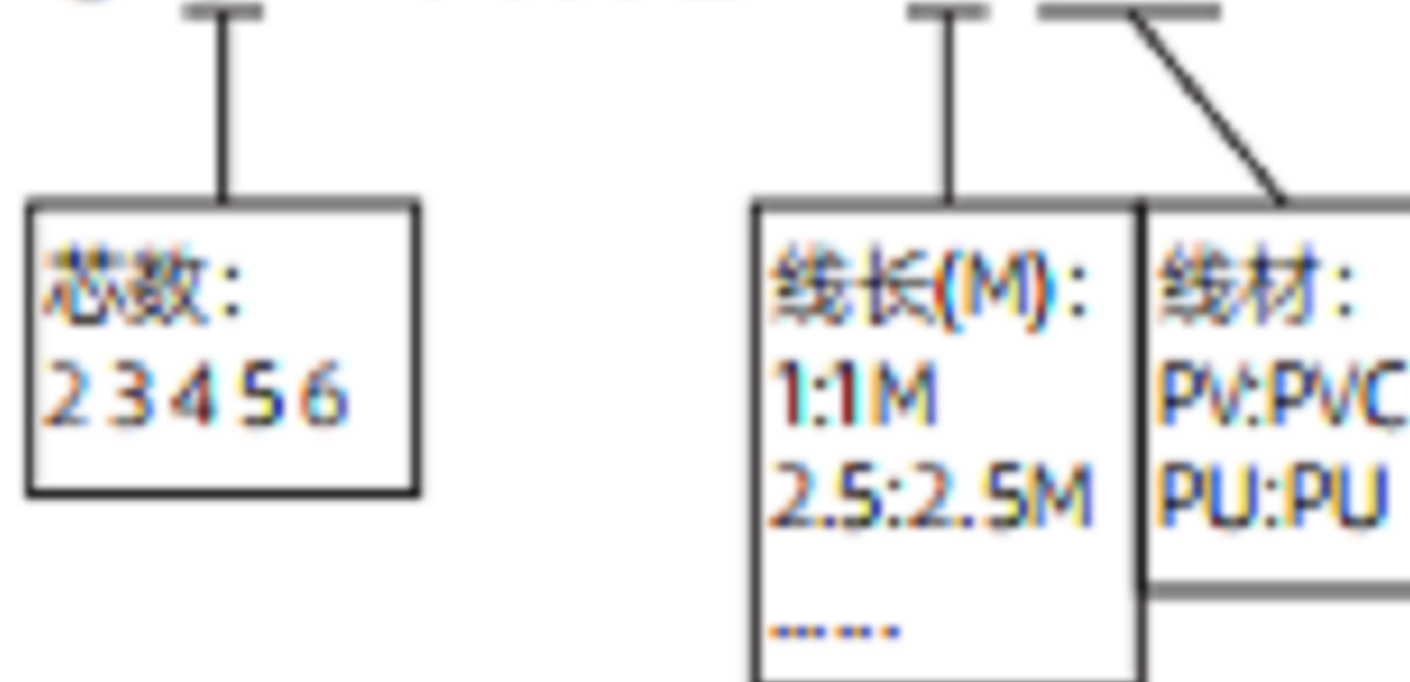
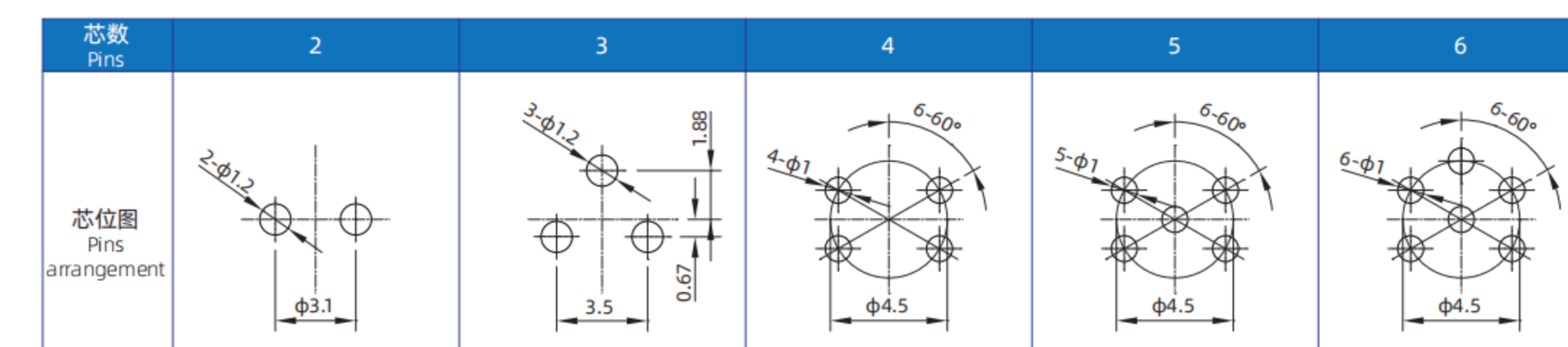


成型式孔型弯式插头(螺纹式) E7 Right angle Female Overmolded Plug(Threaded)

E7T - S 3 - MWD - 1 PV



E7-PCB芯位图 E7 PCB PINS ARRANGEMENT



E7-电气参数 E7 ELECTRICAL PARAMETERS

芯数排列及技术参数 PINS ARRANGEMENT & TECHNICAL PARAMETERS					
芯数 Pins	2	3	4	5	6
芯位排布 Pins arrangement					
规格 SPECIFICATIONS					
芯数 Pins	2	3	4	5	6
线规 Wire gauge	0.519mm ² (20AWG)		0.34mm ² (20AWG)		
引脚类型 Pin type	φ1.0mm		φ0.8mm		
接线范围 Wiring range	3.5mm~6.8mm				
防水等级 Waterproof grade	IP67/IP68				
插拔次数 Durability	500				
适应温度 Applicable temperature	-45°C~105°C				
额定电压 Rated voltage	125V	125V	60V	60V	60V
额定电流 Rated current	5A	5A	2A	2A	2A

东莞市高迪电子有限公司
DONG GUAN GAO DI ELECTRONICS CO., LTD

TOLERANCE UNLESS OTHERWISE STATED:
 Up to 5 ±0.2
 Above 5 ~ 15 ±0.3
 Above 15 ~ 30 ±0.4
 Above 30 ~ 50 ±0.5
 Angle ±0.3°

3RD. ANGEL'S

UNITS MM

DRAWN BY:	DATE	MAT'L	TITLE	CONNECTOR
Jack Lu	12/13/19			
CHECKED BY:	DATE	FINISH	MODLE	E7T - S 3 - MWD - 1 PV
Jacky Chen	12/13/19			
APPROVED BY:	DATE	SCALE	DWG NO.	
Tony Kao	12/13/19	1 : 1		
		SHEET NO.	PART NO.	
		1 of 1		
				SIZE A4
				VER R1

ITEM NO.	DESCRIPTION	DRAWN	DATE